

MELIK

RIA

IMPORTS

USERS MANUAL



WARNING: READ THE INSTRUCTIONS AND SAFETY PRECAUTIONS IN THIS MANUAL CAREFULLY BEFORE USING THE FIREARM.

ROCK ISLAND ARMORY

USERS MANUAL MELIK PISTOL SAFETY, INSTRUCTION AND PARTS MANUAL



As a responsible owner of this firearm, you must read the instructions and warnings in this manual carefully. Before using this firearm, make sure you clearly understand all warnings, cautions, and instructions discussed in this manual. This manual explains the functions and handling of your pistol.

This manual must always be in the firearm's carrying case wherever you bring it or when you transfer the ownership of your Melik pistol. This manual must always be followed to minimize and reduce the risk of an accidental discharge. Failure to do so could result in death, serious personal injury, and/or property damage. The manual contains several "WARNING" which indicates a hazardous situation that may result in serious physical injury or death, if not avoided.

For any question regarding any unclear instruction mentioned in this manual and/or if you need a copy of this manual, you may reach out to:

ARMSCOR PRECISION INTERNATIONAL
150 N Smart Way, Pahrump NV 89060
E-mail: support@armscor.com

TABLE OF CONTENTS

- 1 Statement of Liability
- 2 Safety Precautions
- 3 Safety Precautions
- 4 Know Your Firearm

HEALTH&SAFETY

- 5 Tech Specs
- 6 Basic Parts
- 7 Exploded View

ABOUT THE FIREARM

- 8 Operating Instructions
Loading/Safety The Firearm...8
Disassembling The Firearm...9

Cleaning The Firearm 10

Maintenance 11

Ordering Parts 12

Warranty 13

Notes 14

MAINTENANCE



01 | STATEMENT OF LIABILITY

The Melik pistol is classified as a firearm or dangerous weapon. It is expressly understood that Armscor Precision International and Arms Corporation of the Philippines assume no liability for its resale or unsafe handling under local laws and regulations, or for physical injury or property damage resulting from either intentional or accidental discharge, or for the function of the pistol subjected to influences beyond the manufacturer's control. Armscor Precision International and Arms Corporation of the Philippines will honor no claims which may result from careless handling, unauthorized adjustments, defective or improper ammunition, corrosion, or neglect.

YOUTH HANDGUN SAFETY ACT NOTICE

1. The misuse of handguns is a leading contributor to juvenile violence and fatalities.
2. Safely storing and securing firearms away from children will help prevent the unlawful possession of handguns by juveniles, stop accidents, and save lives.
3. Federal law prohibits, except in certain limited circumstances, anyone under 18 years of age knowingly possessing a handgun, or any person from selling, delivering, or otherwise transferring a handgun to a person under 18.
4. A knowing violation of the prohibition against selling, delivering, or otherwise transferring a handgun to a person under the age of 18 is, under certain circumstances, punishable by up to 10 years in prison.

State-By-State Warnings



CALIFORNIA STATE WARNING

CHILDREN ARE ATTRACTED TO AND CAN OPERATE FIREARMS THAT CAN CAUSE SEVERE INJURIES OR DEATH. PREVENT CHILD ACCESS BY ALWAYS KEEPING FIREARMS LOCKED AWAY AND UNLOADED WHEN NOT IN USE. IF YOU KEEP A LOADED FIREARM WHERE A CHILD OBTAINS AND IMPROPERLY USES IT, YOU MAY BE FINED OR SENT TO PRISON. IT IS UNLAWFUL TO USE A MAGAZINE WITH A CAPACITY OVER 10 ROUNDS.



MASSACHUSETTS STATE WARNING

IT IS UNLAWFUL TO CARRY ANY MAGAZINE OR BELT WHICH HOLDS MORE THAN TEN ROUNDS, UNLESS AUTHORITY IS GRANTED BY THE BOSTON POLICE COMMISSIONER. IT IS UNLAWFUL TO STORE OR KEEP A FIREARM, RIFLE, FIREARM OR MACHINE GUN IN ANY PLACE UNLESS THAT WEAPON IS EQUIPPED WITH A TAMPER RESISTANT SAFETY DEVICE OR IS STORED OR KEPT IN A SECURELY LOCKED CONTAINER.



NEW YORK STATE WARNING

IT IS UNLAWFUL TO CARRY ANY MAGAZINE OR BELT WHICH HOLDS MORE THAN SEVEN ROUNDS, UNLESS AUTHORITY IS GRANTED BY THE STATE OF NEW YORK. THE USE OF A LOCKING DEVICE OR SAFETY LOCK IS ONLY ONE ASPECT OF RESPONSIBLE FIREARMS STORAGE FOR INCREASED SAFETY; FIREARMS SHOULD BE STORED UNLOADED AND LOCKED IN A LOCATION THAT IS BOTH SEPARATED FROM THEIR AMMUNITION AND INACCESSIBLE TO CHILDREN AND OTHER UNAUTHORIZED PERSONS.

02 | SAFETY PRECAUTIONS

Safety must be the first and constant consideration of every person who handles firearms and ammunition. Improper handling of firearms can cause serious injury and death. Always think of it as a dangerous weapon and it is your responsibility to handle guns safely. Accidents happen when you violate the basic rules of safe gun handling. As such, it is very important to read and follow these safety instructions:

1. Even if there are safety features incorporated in your firearm, do not rely on these mechanical features alone.
2. Seek a doctor's advice if you are taking any medications to ensure that you can shoot and handle firearms safely. Do not drink any alcoholic beverages nor take drugs before and during shooting. This could seriously impair your vision and judgment making your firearm handling unsafe and dangerous.
3. Beware of any obstructions in a barrel. When a weak or peculiar sound is heard, cease firing and inspect the barrel for any obstructions.
4. Keep the pistol pointed at the target for at least 30 seconds when a misfire happened. A hangfire or delayed firing may occur.
5. When possible, wear shooting glasses and ear muffs/protection when firing. This is to protect your eyes from spent cartridges and loud noise during firing.
6. Firearms should be handled with proper care. Improper and careless handling could cause accidental discharge which could result in death, serious personal injury, and/ or property damage.
7. Always make sure that the Melik pistol is unloaded by having the slide locked open in the rearward position. Also, always take out the magazine before handing it over to another person.
8. Never carry your Melik pistol out of the holster with a loaded cartridge in its chamber. This could result in an accidental discharge.
9. Always store your pistol unloaded and locked in an appropriate container, such as the included pistol case. Make sure it is out of reach and sight of children or any other unauthorized person.
10. Do not store or transport ammunition in the same container as your Melik pistol.
11. If in any case that the designed Melik pistol's safety features proved to be ineffective for any reason, the risk of an unintentional discharge is high. Immediately unload your Melik pistol, do not use it, and have it examined by the authorized personnel of the manufacturer.
12. With any loaded gun which does not have a separate manual safety, such as double action revolvers and many modern striker fired pistols, always remember that any sufficient pull of the trigger, whether by finger or foreign object, can cause it to fire. So, it is particularly important to guard against inadvertent trigger pull at all times until you are actually ready to fire. The presence of a separate manual safety does not necessarily make a gun safe, and the absence of it does not necessarily make a gun unsafe, as no mechanical device on any gun can be relied upon, or is even intended, to serve as a substitute for common sense in safe gun handling.

FOUR BASIC RULES OF GUN SAFETY

1. Never point the gun at anyone or anything you don't intend to shoot. Always be aware of what is in the front and the back of your target.
2. Always keep your finger out of the trigger guard until you are ready to fire.
3. Always keep your gun pointed in a safe direction.
4. Treat every firearm as if it were loaded. Always check for yourself to make sure that the firearm is unloaded.

03 | SAFETY PRECAUTIONS

WARNING

CHILDREN ARE ATTRACTED TO FIREARMS, AND MIGHT BE ABLE TO OPERATE THEM, THEY CAN CAUSE SEVERE INJURIES AND EVEN DEATH, TO THEMSELVES OR OTHERS. PREVENT CHILDREN FROM ACCESS, ALWAYS KEEP YOUR FIREARMS LOCKED AWAY, UNLOADED AND OUT OF REACH OF CHILDREN WHEN NOT IN USE AT ANY TIME.

WARNING

THE FIREARM SHOULD BE STORED IN ROOMS WITH A DRY ATMOSPHERE AND MINIMUM HUMIDITY. IT SHOULD NOT BE STORED ENCASED IN LEATHER OR ANYTHING THAT WILL ATTRACT AND HOLD MOISTURE, CAUSING IT TO RUST.

WARNING

DO ALL PROCEDURES (DISASSEMBLY, CLEANING AND OTHER MAINTENANCE) ONLY WHEN THE FIREARM IS UNLOADED. BE SURE THAT THE MAGAZINE, RECEIVER AND CHAMBER ARE EMPTY WHILE YOU ARE PROCEEDING. CHECK EJECTION PORT AND CHAMBER VISUALLY.

WARNING

ALL PRODUCTS HAVE 19mm CHAMBERS (EXCEPT OTHERWISE STATED). YOU CAN SEE MARKS ABOUT GAUGES AND CHAMBER LENGTH ON THE GUN. EVERY FIREARM HAS PASSED DURABILITY TEST WITH SPECIAL HIGH PRESSURE CARTRIDGES.

WARNING

WHEN STORING THE GUN FOR A PROLONGED PERIOD OF TIME, IT IS NECESSARY TO OIL IT HEAVILY WITH AN ACID-FREE LUBRICANT. THE EXTERNAL PARTS MUST BE COATED WITH AN ANTI-RUST OIL OR GREASE TO PREVENT MOISTURE CAUSING THE PARTS TO RUST AND MALFUNCTION. BEFORE USAGE, THE FIREARM MUST BE CLEANED AND WIPED DRY AGAIN.

04 | KNOW YOUR FIREARM



05 | TECH SPECS

Model	MELIK
Caliber	9x19mm
Action	Semi Automatic
Capacity*	17 Rounds
Affective Range	100 m / 320 ft
Barrel Length*	124mm / 4.9"
Overall Length*	214mm / 8.4"
Overall Width	35mm / 1.4"
Overall Height	138mm / 5.46"
Weight, Empty	2500gr / 5.5lb.
Trigger Pull	2400gr / 5.3lb. - 3000gr / 6.6lb.
Front & Rear Sight	Fixed
Length of Pull	1.16" / 85.47mm
Rifling Twist	1/10"
No. Of Groves	6
Slide	4140 Steel
Finish	Aluminum parts hard anodized and steel parts Melonite

CALIBER



9x19mm



* It can varies by state or model

06 | BASIC PARTS

P.NO	PART NAME
1	Frame
2	Trigger
3	Trigger Spring
4	Trigger Pin
5	Slide Release Lever
6	Slide Release Lever Spring
7	Disconnecter
8	Disconnecter Spring
9	Disconnecter Pin
10	Hammer
11	Hammer Pusher
12	Hammer Spring Guide
13	Hammer Spring
14	Hammer Spring Cap
15	Hammer Spring Cap Pin
16	Ejector
17	Ejector Pin
18	Disconnecter Action Part
19	Firing Pin Safety
20	Hammer Pin
21	Trigger Slide
22	Trigger Slide Spring
23	Magazine Release Lock Left
24	Magazine Release Lock Spring
25	Magazine Release Lock Right

P.NO	PART NAME
26	Magazine Release Button
27	Slide Lock Spring
28	Slide Lock Button
29	Disassembly Latch
30	Slide
31	Firing Pin Spring
32	Firing Pin
33	Firing Pin Safety
34	Firing Pin Safety Spring
35	Firing Pin Safety Pin
36	Extractor Spring
37	Extractor
38	Extractor Pin
39	Safety Spring
40	Safety Pin
41	Firing Pin Retainer Pin
42	Safety Plunger Spring
43	Safety Plunger Pin
44	Safety
45	Safety Lever
46	Safety Lever Pin
47	Barrel
48	Locking Block
49	Locking Block Plunger
50	Locking Block Plunger Pin

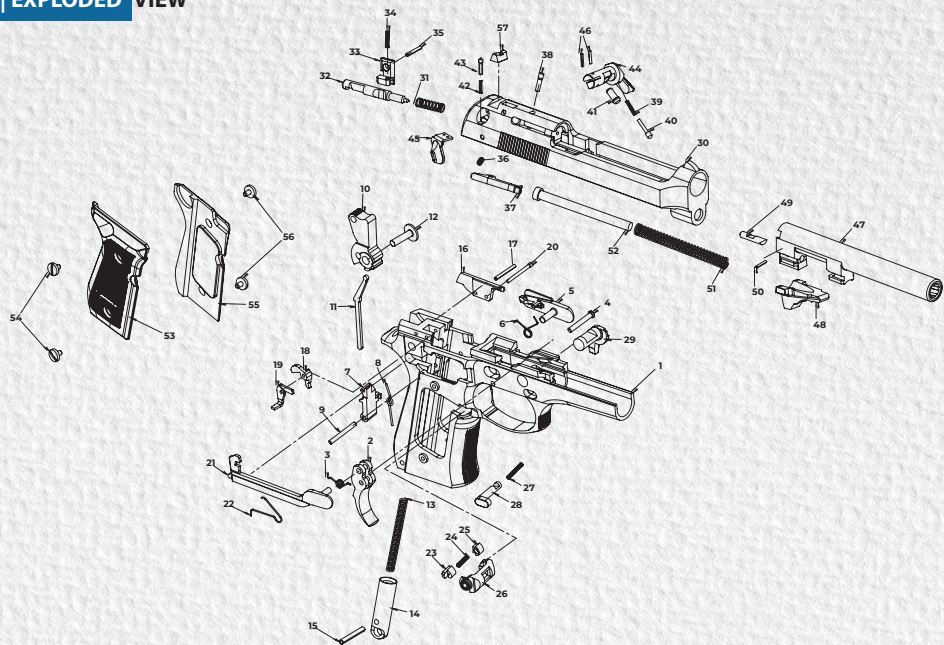
P.NO	PART NAME
51	Recoil Spring
52	Recoil Guide
53	Grip Right
54	Grip Connection Screw
55	Grip Left
56	Grip Connection Screw
57	Rear Sight

Note: Some models will vary from exploded view.

There may be some changes on the user manual. Please use that code to download the latest version of manual.



07 | EXPLODED VIEW



LOADING OF THE FIREARM

- 1) Press the magazine release button to remove the magazine from the pistol.
- 2) Press down on the follower with the thumb of one hand, and then feed the round into the magazine, tuck each round under the feed lips and then move on.



- 3) Insert the fully loaded magazine into the pistol grip and ensure it properly engaged.
- 4) Grasp the slide serrations with your thumb and index finger, fully retract and release the slide to load the chamber.



SAFETY

- A) The hammer drop safety is a mechanism designed to safely lower the hammer of a pistol without discharging a round. It prevents accidental firing by allowing the shooter to safely de-cock the firearm. (Engage the hammer drop safety by simply rotating the lever with a fully downward (red dot covered))
- B) Release the hammer drop safety by simply rotating the lever with a fully upward thumb pressure. The red warning dot can be seen when the hammer drop safety is disengaged.



DISASSEMBLY OF THE FIREARM

- 1) a) Remove the magazine by pressing magazine release button.
b) Grip the pistol with your right hand and use your left forefinger to press the disassembling latch release button. Rotate the disassembling latch clockwise using your left thumb until it reaches its stopping point.
- 2) Pull the slide barrel assembly forward with a locking block, recoil spring, and recoil guide.



- 3) Slightly press the recoil spring and recoil guide.
- 4) Lift the recoil guide and recoil spring, letting the latter stretch slowly.



- 5) Press the locking block plunger.
- 6) Take out the barrel locking assembly from the slide. (No further disassembly is recommended unless done by a competent gunsmith.)



CLEANING THE FIREARM

To clean the pistol after firing, first dismount the slide and barrel assembly. Scrub the barrel bore and chamber with a bore brush dipped in a firearm cleaning solvent to remove firing residue and the foreign matter left inside.

Using an old toothbrush dipped in solvent, clean the areas around the slide's breech face to remove powder and primer residues. Other parts and areas to be cleaned are the frame and slide rails, firing pin, extractor claws, and other adjacent areas. After cleaning, wipe all surfaces with a clean dry cloth to remove all traces of the solvent and apply a light film of oil immediately thereafter.

To clean the pistol thoroughly, disassemble all parts to the extent described above, taking care not to ruin or lose any part. Clean and inspect all parts then dry and lubricate very lightly. Reassemble the pistol, dry the barrel chamber and bore, and check the firearm for proper function before loading live ammunition.

STORAGE AND TRANSPORTATION

Store your firearm in very dry conditions with very low humidity. Avoid leather as this holds moisture. Oil-coated plastic bags are better. For the ammunition, store it in a cool, dry location.

If you are going to store your firearm for an indefinite period, apply a thicker film of oil with a lubricant that is acid-free. Moisture and humidity are factors that cause rust and corrosion. Before use, make sure that your pistol is cleaned and wiped dry.



CALIFORNIA STATE WARNING

CHILDREN ARE ATTRACTED TO AND CAN OPERATE FIREARMS THAT CAN CAUSE SEVERE INJURIES OR DEATH. PREVENT THE ACCESS OF THE CHILD OR UNAUTHORIZED PERSON TO YOUR FIREARM BY KEEPING IT UNLOADED AND LOCKED AWAY.



MASSACHUSETTS STATE WARNING

A LOADED FIREARM WHERE A CHILD IMPROPERLY USES IT MAY HAVE YOU FINED OR BE SENT TO PRISON.

ORDERING PARTS

Visit RIA website to browse, learn more about and purchase parts and ammunition for all of your Rock Island Armory products.



www.advancedtactical.com



ARMSCORPRECISION



ARMSCORPRECISION



ROCKISLANDARMORY



ARMSCORRIA

WARRANTY REGISTRATION

Armscor's warranty covers its firearms and parts. We offer limited lifetime warranty on our products for their intended purpose. As with any product, abuse, gunsmithing by an unqualified person and normal wear and tear are excluded. Additionally, if the firearm was modified and/or repaired by an unqualified gunsmith without permission from Armscor, then the warranty will be void. If warranty work should be required, return the firearm to the address listed below. There is no refund for the shipping cost. Gunsmithing services are available by registered Armscor Gunsmithers. Please email the address below.

To register your firearm, please go to www.rockislandarmory.com/support-center/warranty/ and complete online warranty form. In comments section, write warranty registration and press submit. You can also go to www.rockislandarmory.com and press warranty section at the bottom.

For more information on warranty, visit www.rockislandarmory.com, or email support@armscor.com

Armscor Precision International
150 North Smart Way
Pahrump, NV 89060
Email: support@armscor.com

IMPORTANT WARRANTY INFORMATION

Our Rock Island Armory firearms are warranted to function only with Factory Ammo and the Original Factory Magazine.
Use of Handloads is not covered in Warranty of Repair for the function of the Firearm.

DUE TO THE FIT AND TIGHTNESS OF FIREARM, RIA RECOMMENDS A BREAK-IN PERIOD OF 500 ROUNDS.

THIS IS HOW YOU VOID YOUR WARRANTY

- * Refinishing your RIA firearm
- * Misuse, Mishandling, Dropping your RIA Firearm
- * Firing Remanufactured or Reloaded Ammunition
- * Not properly reassembling your RIA Firearm resulting in damage, ie reverse plugs!
- * Any addition of after market parts
- * Unauthorized repairs done by any other than Rock Island Armory

LIMITS ON WARRANTY (will not cover)

- * Finish, Holster wear, Scratches, Chemical damage
- * After Market Magazines
- * Damage to Factory Magazines
- * Sights not installed by Rock Island Armory
- * Recoil Springs

WE RESERVE THE RIGHT TO CHARGE FOR LABOR, PARTS AND SHIPPING TO RETURN YOUR RIA FIREARM BACK TO FACTORY SPECIFICATIONS IF IT HAS BEEN ALTERED.

Serial Number _____

Date Of Purchase _____

Place Of Purchase _____

RIA

IMPORTS

WWW.ROCKISLANDARMORY.COM

03/2024