

# PUMP ACTION SHOTGUN

**RIA**  
IMPORTS

## USERS MANUAL



**WARNING: READ THE INSTRUCTIONS AND  
SAFETY PRECAUTIONS IN THIS MANUAL  
CAREFULLY BEFORE USING THE FIREARM.**

# ROCK ISLAND ARMORY

## USERS MANUAL PUMP ACTION SHOTGUN SAFETY, INSTRUCTION AND PARTS MANUAL



As a responsible owner of this firearm, you must read the instructions and warnings in this manual carefully. Before using this firearm, make sure you understand thoroughly the contents of this manual.

This manual must always be in the firearms carrying case whenever the owner/user brings it or when it transfers ownership. A copy of this manual is available upon request from:



### ***RIA Recommendation For Shotgun Break In Procedures***

- *Use quality ammo of the correct gauge only. 12GA and 20GA use 2<sup>3</sup>/<sub>4</sub>" and 3", .410 uses 2<sup>1</sup>/<sub>2</sub>" and 3"*
- *Using shorter length ammo (mini shells) may cause feeding problems and longer ammo is unsafe.*
- *Chose the correct choke for the size of shot and type of shot (steel, lead, etc.)*

**ARMSCOR PRECISION INTERNATIONAL**

150 N Smart Way, Pahrump NV 89060

E-mail: [support@armscor.com](mailto:support@armscor.com)

# TABLE OF CONTENTS

1 Statement of Liability

1 State-By-State Warnings

2 Safety Precautions

3 Important Warnings

## HEALTH&SAFETY

4-8-13 Tech Specs

5-9-14 Basic Parts

6-10-15 Exploded View

## ABOUT THE FIREARM

Operating Instructions 7

Disassembling The Shotgun.....7-11-16

Settings.....7-12-17

Usage of Choke Tubes 18

Ordering Parts 19

Warranty 20

## MAINTENANCE



### STATEMENT OF LIABILITY

This shotgun is classified as a firearm or dangerous weapon. It is expressly understood that we assume no liability for its resale or unsafe handling under local laws and regulations. Armscor assumes no responsibility for physical injury or property damage resulting from either intentional or accidental discharge, or for the function of the firearm subjected to influence beyond their control. Armscor will honor no claims which may result from careless handling, unauthorized adjustments, defective or improper ammunition, corrosion or neglect. Examine your firearm carefully at the time of purchase. It should be forwarded immediately to the factory or its sales agent if any adjustment of any kind is required.

### State-By-State Warnings



#### CALIFORNIA STATE WARNING

*CHILDREN ARE ATTRACTED TO AND CAN OPERATE FIREARMS THAT CAN CAUSE SEVERE INJURIES OR DEATH. PREVENT CHILD ACCESS BY ALWAYS KEEPING FIREARMS LOCKED AWAY AND UNLOADED WHEN NOT IN USE. IF YOU KEEP A LOADED FIREARM WHERE A CHILD OBTAINS AND IMPROPERLY USES IT, YOU MAY BE FINED OR SENT TO PRISON. IT IS UNLAWFUL TO USE A MAGAZINE WITH A CAPACITY OVER 10 ROUNDS.*



#### MASSACHUSETTS STATE WARNING

*IT IS UNLAWFUL TO CARRY ANY MAGAZINE OR BELT WHICH HOLDS MORE THAN TEN ROUNDS, UNLESS AUTHORITY IS GRANTED BY THE BOSTON POLICE COMMISSIONER. IT IS UNLAWFUL TO STORE OR KEEP A FIREARM, RIFLE, SHOTGUN OR MACHINE GUN IN ANY PLACE UNLESS THAT WEAPON IS EQUIPPED WITH A TAMPER RESISTANT SAFETY DEVICE OR IS STORED OR KEPT IN A SECURELY LOCKED CONTAINER.*



#### NEW YORK STATE WARNING

*IT IS UNLAWFUL TO CARRY ANY MAGAZINE OR BELT WHICH HOLDS MORE THAN SEVEN ROUNDS, UNLESS AUTHORITY IS GRANTED BY THE STATE OF NEW YORK. THE USE OF A LOCKING DEVICE OR SAFETY LOCK IS ONLY ONE ASPECT OF RESPONSIBLE FIREARMS STORAGE FOR INCREASED SAFETY, FIREARMS SHOULD BE STORED UNLOADED AND LOCKED IN A LOCATION THAT IS BOTH SEPARATED FROM THEIR AMMUNITION AND INACCESSIBLE TO CHILDREN AND OTHER UNAUTHORIZED PERSONS.*

## 02 | SAFETY PRECAUTIONS

Safety must be the first and constant consideration of every person who handles firearms and ammunition. The person with a firearm in his possession has an important responsibility. He/She must know how to use his/her firearm safely:

1. Always keep the muzzle pointed at a safe direction. Watch the muzzle at all times. Never point a gun, accidentally or intentionally, at any person or anything you do not intend to shoot. Identify the target before shooting; do not shoot at sounds.
2. Always treat a gun as if it is loaded – it may be!
3. Keep your finger off the trigger while operating the action and at all other times until you are ready to shoot.
4. Keep the safety “on” or in the “safe” position at all times until you are ready to fire. Do not rely on your gun’s safety, the safety on any gun is a mechanical device and is not intended as a substitute for common sense or safe gun handling.
5. Learn how your gun functions and handles. If you do not thoroughly understand the proper use and care of your gun, seek the advice of someone who is knowledgeable.
6. Do not alter or modify any part of the firearm.
7. Store guns unloaded, separate from any ammunition, and out of the reach of children.
8. Be sure the barrels is clear of any obstructions before loading. Make it a habit to check the barrel every time before loading.
9. Be sure you have and use the proper ammunition.
10. Wear protective shooting glasses, adequate ear protection and gloves when shooting.
11. Never climb or jump over anything, such as a tree, fence, or ditch, with a loaded gun. Open the barrel, remove the shells and hand the gun to someone else or place it on the ground on the other side of the obstacle before crossing it yourself. Do not lean a gun against a tree or other object; it could fall and possibly discharge.

12. Do not shoot at a hard surface or at water. Bullet and shot can ricochet or bounce off and travel in unpredictable directions with great velocity.

13. Never transport a loaded gun. Do not place a loaded gun into a vehicle. The gun should be unloaded and placed into a case when not in use.

14. Never consume intoxicating beverages and/or drugs before or during shooting.

### WARNING

DO NOT ATTEMPT TO USE ANY FIREARM WITHOUT HAVING A COMPLETE UNDERSTANDING OF ITS PARTICULAR CHARACTERISTICS AND SAFE USE. READ AND UNDERSTAND THIS MANUAL CAREFULLY BEFORE USAGE OF YOUR SHOTGUN.

### WARNING

YOU SHOULD NEVER DEPEND ON A SAFETY MECHANISM OR ANY OTHER MECHANICAL DEVICE TO JUSTIFY CARELESS AND IMPROPER HANDLING.

### WARNING

THIS FIREARM WAS MANUFACTURED TO PERFORM PROPERLY WITH THE ORIGINAL PARTS AND MAGAZINES AS DESIGNED. PLEASE MAKE SURE ANY PARTS YOU BUY ARE INSTALLED CORRECTLY AND THAT NEITHER REPLACEMENTS NOR ORIGINALS ARE ALTERED OR CHANGED. PUTTING A FIREARM TOGETHER INCORRECTLY OR WITH MODIFIED PARTS CAN RESULT IN DAMAGED FIREARM, DANGER, AND INJURY OR DEATH. ANY MODIFICATIONS TO FIREARM WILL VOID FACTORY WARRANTY.

## 03 | SAFETY PRECAUTIONS

### WARNING

CHILDREN ARE ATTRACTED TO FIREARMS, AND MIGHT BE ABLE TO OPERATE THEM, THEY CAN CAUSE SEVERE INJURIES AND EVEN DEATH, TO THEMSELVES OR OTHERS. PREVENT CHILDREN FROM ACCESS, ALWAYS KEEP YOUR FIREARMS LOCKED AWAY, UNLOADED AND OUT OF REACH OF CHILDREN WHEN NOT IN USE AT ANY TIME.

### WARNING

THE FIREARM SHOULD BE STORED IN ROOMS WITH A DRY ATMOSPHERE AND MINIMUM HUMIDITY. IT SHOULD NOT BE STORED ENCASED IN LEATHER OR ANYTHING THAT WILL ATTRACT AND HOLD MOISTURE, CAUSING IT TO RUST.

### WARNING

DO ALL PROCEDURES (DISASSEMBLY, CLEANING AND OTHER MAINTENANCE) ONLY WHEN THE FIREARM IS UNLOADED. BE SURE THAT THE MAGAZINE TUBE, RECEIVER AND CHAMBER ARE EMPTY WHILE YOU ARE PROCEEDING. CHECK EJECTION PORT, LOADING PORT AND CHAMBER VISUALLY.

### WARNING

ALL PRODUCTS HAVE 3" (76MM) CHAMBERS (EXEPT OTHERWISE STATED). YOU CAN SEE MARKS ABOUT GAUGES AND CHAMBER LENGTH ON THE GUN. EVERY SHOTGUN HAS PASSED DURABILITY TEST WITH SPECIAL HIGH PRESSURE CARTRIDGES.

### WARNING

WHEN STORING THE GUN FOR A PROLONGED PERIOD OF TIME, IT IS NECESSARY TO OIL IT HEAVILY WITH AN ACID-FREE LUBRICANT. THE EXTERNAL PARTS MUST BE COATED WITH AN ANTI-RUST OIL OR GREACE TO PREVENT MOISTURE CAUSING THE PARTS TO RUST AND MALFUNCTION. BEFORE USAGE, THE SHOTGUN MUST BE CLEANED AND WIPED DRY AGAIN.

## 04 | TECH SPECS

Model	<b>MERIVA / CARINA</b>
Caliber	12 Gauge
Chamber	2 <sup>3</sup> / <sub>4</sub> / 3"
Action	Pump Action
Capacity	5 Rounds
Choke	Full, Modified and Improved Cylinder
Barrel	Ribbed / Plain
Barrel Length	470mm / 18.5" - 710mm / 28"
Overall Length	920mm / 36.22" - 1160mm / 45.66"
Overall Width	40mm / 1.57"
Overall Height	120mm / 4.72"
Front Sight	Fixed Front
Weight, Empty	2.8 kg / 6.2 lbs
Weight, Loaded	2.98 kg / 6.57 lbs
Finish	Black Anodized / Grey Anodized
Stock	Polymer Buttstock With Rubber Buttpad and Polymer Forend Walnut Buttstock / Walnut forend

## CALIBER



## 05 | BASIC PARTS

P.NO	PART NAME
1	Trigger Guard
2	Hammer Spring
3	Hammer Socket
4	Hammer
5	Hammer pin
6	Safety
7	Safety Socket
8	Safety Spring
9	Safety Pin
10	7 Socket
11	D Segment
12	Trigger
13	Trigger Spring
14	Disconnecter Spring
15	Disconnecter
16	Trigger Pin
17	Side Button
18	Ejector Spring
19	Carrier Latch Spring
20	Carrier Latch Socket
21	Carrier
22	Carrier Latch
23	Carrier Latch Pin
24	7 Socket
25	D Segment

P.NO	PART NAME
26	Magazine Tube
27	Front Plug
28	Magazine Spring
29	Rear Plug
30	Receiver
31	Ejector Tube
32	Bolt Button Spring
33	Slotted Spring Pin
34	Follower Tube Spring
35	Follower Tube
36	Slotted Spring Pin
37	Slide Carrier
38	Pin
39	Pin Spring
40	M4 Screw
41	Forend
42	Bolt
43	Lock
44	Firing Pin Spring
45	Firing Pin
46	Firing Pin Pin
47	Extractor Spring
48	Extractor Pin
49	Extractor
50	Extractor Fixing Pin

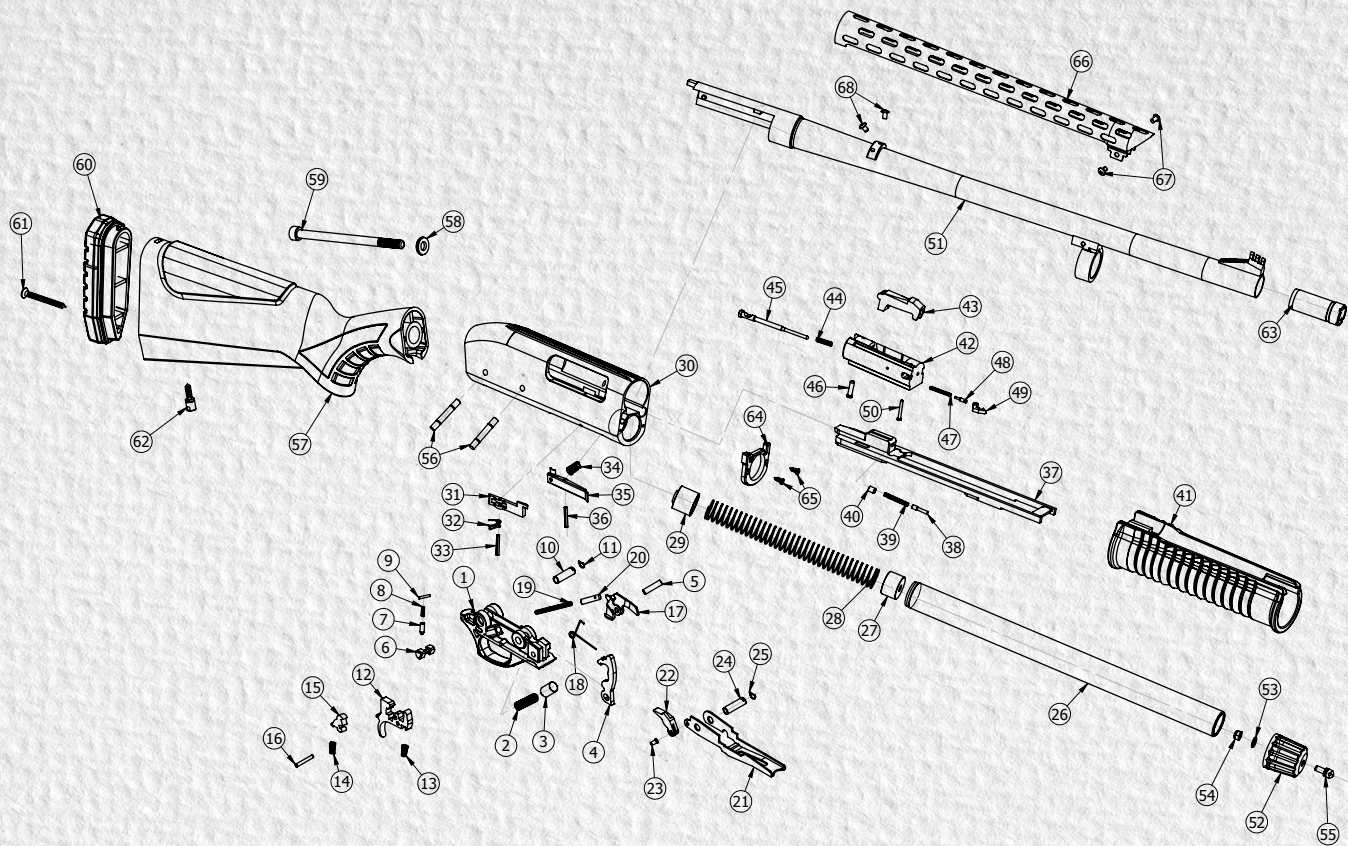
P.NO	PART NAME
51	Barrel Assembly*
52	Magazine Tube Cap
53	Sling Swivel Washer
54	M5 Nut
55	Sling Swivel M5 Screw
56	Takedown Pins
57	Stock
58	Stock Connection Washer
59	Stock Bolt
60	Recoil Pad
61	Recoil Pad Screw
62	Sling Swivel Screw
63	Mobile Choke (Optional)
64	Handguard Pivot Nut (Optional)
65	Handguard Pivot Nut Screw (Optional)
66	Heat Shield (Optional)
67	M4 Screws (Optional)
68	M4 Screws (Optional)

**Note:** Some models will vary from exploded view.

\*Barrel with Barrel Extension, Ejector, Gas Block and Fiber Optic Sight



# 06 | EXPLODED VIEW



## 07 | OPERATING INSTRUCTIONS

### DISASSEMBLY OF THE FIREARM

1) Remove the magazine cap.



2) Open the action slightly then push the barrel forward and of the receiver.



3) Now you can remove the bolt group, by sliding it to the front.



### SETTINGS

1) Push the safety button to SAFE position.



2) Load cartridges into the tube until it reaches its capacity.



3) Push the release latch and cock the firearm by pulling the fore end.



## 08 | TECH SPECS

Model	<b>TPAS</b>
Caliber	12 Gauge
Chamber	2 <sup>3</sup> / <sub>4</sub> / 3"
Action	Pump Action
Capacity	5+1 Rounds
Choke	Slug
Barrel	With Heat Cage
Barrel Length	470mm / 18.5"
Overall Length	920mm / 36.22"
Overall Width	40mm / 1.57"
Overall Height	120mm / 4.72"
Front Sight	Fixed Front
Weight, Empty	2.8 kg / 6.2 lbs
Weight, Loaded	2.98 kg / 6.57 lbs
Finish	Black Anodized
Stock	Walnut Buttstock / Walnut foreend
Accs.	Sling

## CALIBER



## 09 | BASIC PARTS

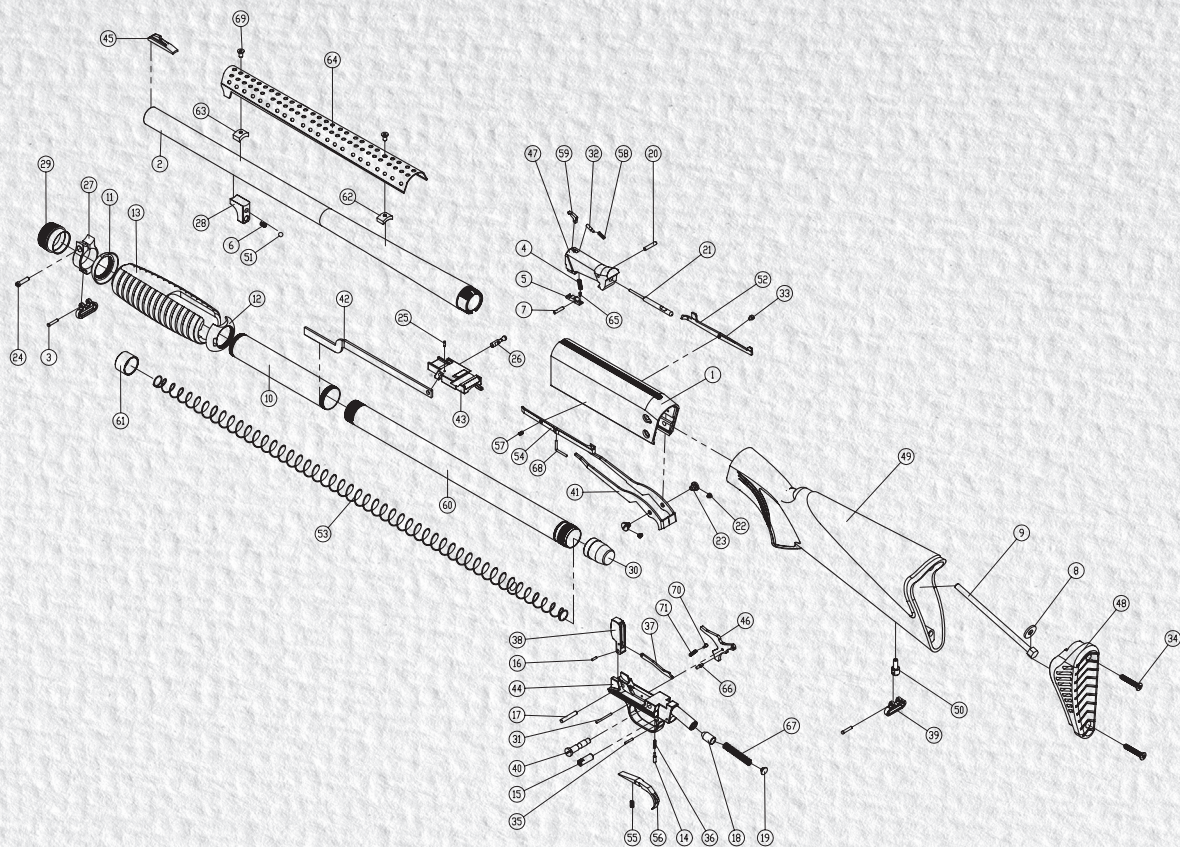
P.NO	PART NAME
1	Receiver
2	Barrel
3	Sling Swivel Rivet
4	Bottom Extractor Spring
5	Bottom Extractor
6	Ball Spring
7	Bottom Extractor Rivet
8	Buttstock Connection Washer
9	Buttstock Connection Screw
10	Forend Tube
11	Forend Retaining Nut Upper
12	Forend Retaining Nut Lower
13	Forend
14	Safety Pin
15	Safety
16	Hammer Slide Pin
17	Hammer Pin
18	Hammer Spring Socket
19	Hammer Spring Cap
20	Firing Pin Retaining Pin
21	Firing Pin
22	Carrier Screw Contra
23	Carrier Screw
24	Sling Swivel Retaining Screw
25	Bolt Catch Retaining Pin

P.NO	PART NAME
26	Bolt Assemble Pin
27	Magazine Band
28	Barrel Connection
29	Magazine Cap
30	Rear Plug
31	Trigger Pin
32	Extractor Pin
33	Shell Stop Right Pin
34	Recoil Pad Screw
35	Hammer Back Pin
36	Safety Spring
37	Hammer Stirrup
38	Hammer
39	Sling Swivel
40	Trigger Guard Pin
41	Carrier
42	Slide
43	Bolt
44	Trigger Guard
45	Front Sight
46	Bolt Catch
47	Lock
48	Recoil Pad
49	Buttstock
50	Stud Swivel

P.NO	PART NAME
51	Ø5 Ball
52	Shell Stop Right
53	Magazine Spring
54	Shell Stop Left
55	Trigger Spring
56	Trigger
57	Shell Stop Spring
58	Top Extractor Spring
59	Top Extractor
60	Magazine Tube
61	Front Plug
62	Heat Cage Back Housing
63	Heat Cage Front Housing
64	Heat Cage
65	Bottom Extractor Rivet Pin
66	Bolt Catch Rivet Pin
67	Hammer Spring
68	Shell Stop Left Pin
69	Heat Cage Screw
70	Bolt Catch Spring Pin
71	Bolt Catch Spring

**Note:** Some models will vary from exploded view.

# 10 | EXPLODED VIEW



## 11 | OPERATING INSTRUCTIONS

### DISASSEMBLY OF THE FIREARM

- 1) Pull the forend backwards.
- 2) Unscrew the heat cage screws by using an allen wrench.



- 3) Unscrew the heat cage top screw by using an allen wrench.
- 4) Unscrew the magazine cap by turning in arrow direction.



- 5) Unscrew the magazine band retainer screw by using an allen wrench.
- 6) Pull the barrel in arrow direction.



### SETTINGS

1) Push the safety button to SAFE position.



2) Load cartridges into the tube until it reaches its capacity.



3) Cock the firearm by pulling the forend.



## 13 | TECH SPECS

Model	<b>ALL GENERATIONS (AG)</b>
Caliber	12 / 20 / .410 Gauge
Chamber	(12/20 Ga.) 2 <sup>3</sup> / <sub>4</sub> / 3" - (.410 Ga.) 2 <sup>1</sup> / <sub>2</sub> / 3"
Action	Pump Action
Capacity	5 Rounds
Choke	Full, Modified and Improved Cylinder
Barrel	Ribbed / Plain
Barrel Length	470mm / 18.5" - 710mm / 28"
Overall Length	920mm / 36.22" - 1160mm / 45.66"
Overall Width	40mm / 1.57"
Overall Height	120mm / 4.72"
Front Sight	Fixed Front
Weight, Empty	2.8 kg / 6.2 lbs
Weight, Loaded	2.98 kg / 6.57 lbs
Finish	Black Anodized / Grey Anodized
Stock	Polymer Buttstock With Rubber Buttpad and Polymer Forend Walnut Buttstock / Walnut forend

## CALIBER





## 14 | BASIC PARTS

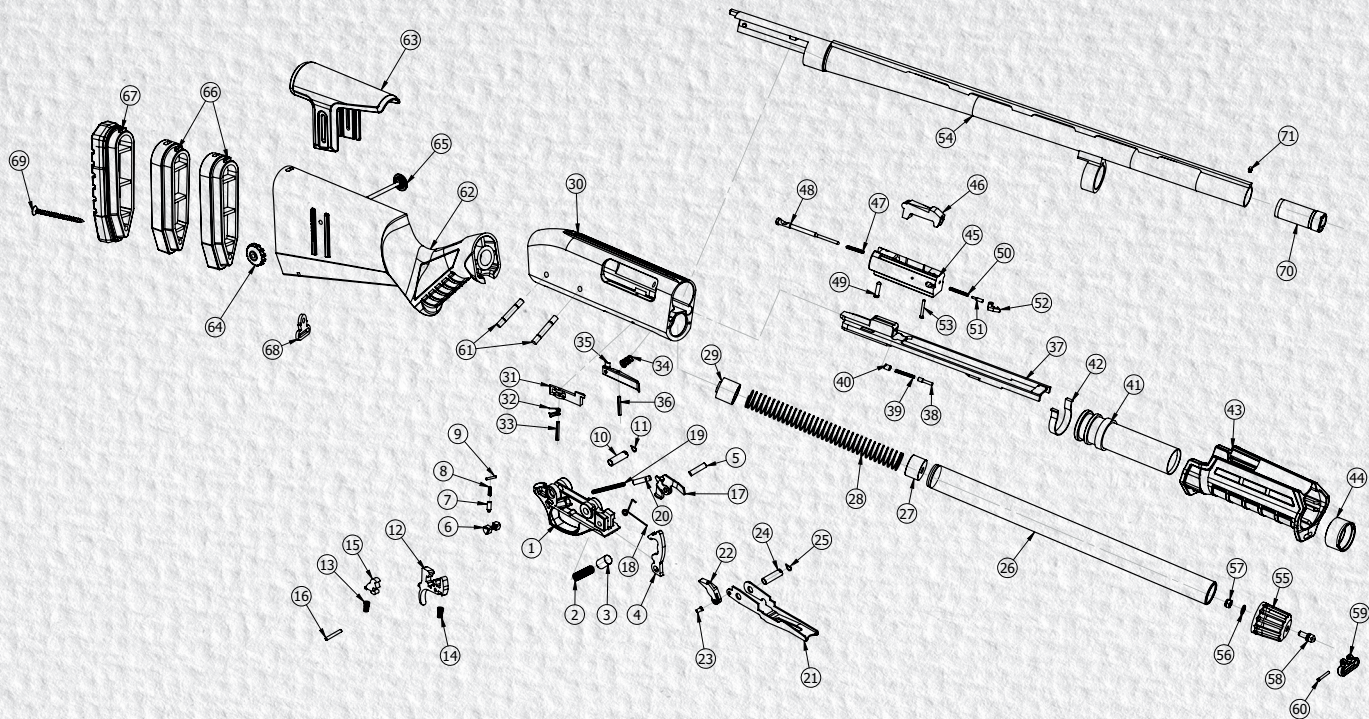
P.NO	PART NAME
1	Trigger Guard
2	Hammer Spring
3	Hammer Socket
4	Hammer
5	Hammer pin
6	Safety
7	Safety Socket
8	Safety Spring
9	Safety Pin
10	7 Socket
11	D Segment
12	Trigger
13	Trigger Spring
14	Disconnecter Spring
15	Disconnecter
16	Trigger Pin
17	Side Button
18	Ejector Spring
19	Carrier Latch Spring
20	Carrier Latch Socket
21	Carrier
22	Carrier Latch
23	Carrier Latch Pin
24	7 Socket
25	D Segment

P.NO	PART NAME
26	Magazine Tube
27	Front Plug
28	Magazine Spring
29	Rear Plug
30	Receiver
31	Ejector Tube
32	Bolt Button Spring
33	Slotted Spring Pin
34	Follower Tube Spring
35	Follower Tube
36	Slotted Spring Pin
37	Slide Carrier
38	Pin
39	Pin Spring
40	M4 Screw
41	Slide Extension
42	Slide Extension Ring
43	Forend
44	Slide Extension Nut
45	Bolt
46	Lock
47	Firing Pin Spring
48	Firing Pin
49	Firing Pin Pin
50	Extractor Spring

P.NO	PART NAME
51	Extractor Pin
52	Extractor
53	Extractor Fixing Pin
54	Barrel Assembly*
55	Magazine Tube Cap
56	Sling Swivel Washer
57	M5 Nut
58	Sling Swivel M5 Screw
59	Magazine Tube Cap Sling Swivel
60	Sling Swivel Rivet
61	Takedown Pin
62	Stock
63	Cheekpad
64	Cheekpad Nut
65	Cheekpad screw
66	Recoil Pad Extension
67	Recoil Pad
68	Sling Swivel
69	Recoil Pad Screw
70	Mobile Choke
71	Bead Sight

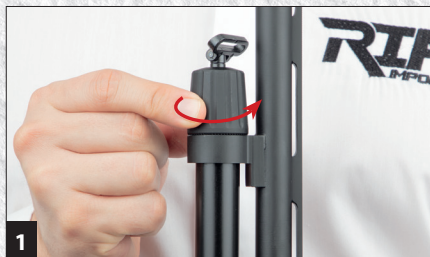
**Note:** Some models will vary from exploded view.  
 \*Barrel with Barrel Extension, Ejector, Gas Block and Bead Sight

# 15 | EXPLODED VIEW



## DISASSEMBLY OF THE FIREARM

**1)** Remove the magazine cap.



**2)** Open the action slightly then push the barrel forward and of the receiver.



**3)** Now you can remove the bolt group, by sliding it to the front.



## 17 | OPERATING INSTRUCTIONS

### SETTINGS

1) Push the safety button to SAFE position.



2) Load cartridges into the tube until it reaches its capacity.



3) Push the release latch and cock the firearm by pulling the forend.



Set the cheekpad to your favoured position by turning the adjuster.






Unscrew the screws to remove the recoil pad and to unlock the spacers. You can adjust the length of the buttstock by adding or removing the spacers.



### USAGE OF CHOKE TUBES

The choke is what controls the openness or tightness of the pattern of your shotgun. The chart below lists the choke available (from open to tight), and the corresponding marks that indicate the choke of your specific shotgun for guns with mobile choke tubes.

MARKING	USAGE OF CHOKE TUBES		NOTCHES
*	<b>FULL</b>	Suitable for longer ranges (DON'T USE SLUGS!)	
***	<b>MODIFIED</b>	Suitable for medium ranges (DON'T USE SLUGS!)	
*****	<b>CYLINDER</b>	Suitable for short ranges	

The threads of the choke tube and the internal threads of the barrel should be cleaned after each use and before installation of the tube.

To install a tube, insert the tube into the barrel and tighten with your fingers. Once the tube is finger-tightened, tighten with the appropriate choke-tube wrench until the tube is snug. DO NOT over tighten or forcefully tighten with wrench.

## ORDERING PARTS

Visit RIA website to browse, learn more about and purchase parts and ammunition for all of your Rock Island Armory products.



[www.advancedtactical.com](http://www.advancedtactical.com)



ARMSCORPRECISION



ARMSCORPRECISION



ROCKISLANDARMORY



ARMSCORRIA

### WARRANTY REGISTRATION

Armcor's warranty covers its firearms and parts. We offer limited lifetime warranty on our products for their intended purpose. As with any product, abuse, gunsmithing by an unqualified person and normal wear and tear are excluded. Additionally, if the firearm was modified and/or repaired by an unqualified gunsmith without permission from Armcor, then the warranty will be void. If warranty work should be required, return the firearm to the address listed below. There is no refund for the shipping cost. Gunsmithing services are available by registered Armcor Gunsmithers. Please email the address below.

To register your firearm, please go to [www.rockislandarmory.com/support-center/warranty/](http://www.rockislandarmory.com/support-center/warranty/) and complete online warranty form. In comments section, write warranty registration and press submit. You can also go to [www.rockislandarmory.com](http://www.rockislandarmory.com) and press warranty section at the bottom.

**Armcor Precision International**  
**150 North Smart Way**  
**Pahrump, NV 89060**  
**Email: [support@armcor.com](mailto:support@armcor.com)**

For more information on warranty, visit [www.rockislandarmory.com](http://www.rockislandarmory.com), or email [support@armcor.com](mailto:support@armcor.com)

### IMPORTANT WARRANTY INFORMATION

Our Rock Island Army shotguns are warranted to function only with Factory Ammo and the Original Factory Magazine. Use of Handloads is not covered in Warranty of Repair for the function of the Firearm.

DUE TO THE FIT AND TIGHTNESS OF FIREARM, RIA RECOMMENDS A BREAK-IN PERIOD OF 500 ROUNDS.

#### **THIS IS HOW YOU VOID YOUR WARRANTY**

- \* Refinishing your RIA firearm
- \* Misuse, Mishandling, Dropping your RIA Firearm
- \* Firing Remanufactured or Reloaded Ammunition
- \* Not properly reassembling your RIA Firearm resulting in damage, ie reverse plugs!
- \* Any addition of after market parts
- \* Unauthorized repairs done by any other than Rock Island Armory

#### **LIMITS ON WARRANTY (will not cover)**

- \* Finish, Holster wear, Scratches, Chemical damage
- \* After Market Magazines
- \* Damage to Factory Magazines
- \* Sights not installed by Rock Island Armory
- \* Recoil Springs

WE RESERVE THE RIGHT TO CHARGE FOR LABOR, PARTS AND SHIPPING TO RETURN YOUR RIA FIREARM BACK TO FACTORY SPECIFICATIONS IF IT HAS BEEN ALTERED.

# RIA

IMPORTS

[WWW.ROCKISLANDARMORY.COM](http://WWW.ROCKISLANDARMORY.COM)

09/2021